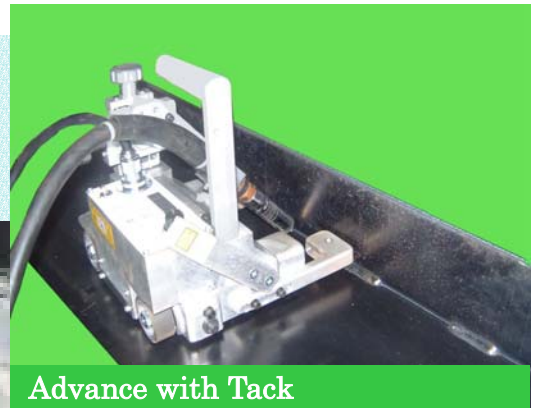




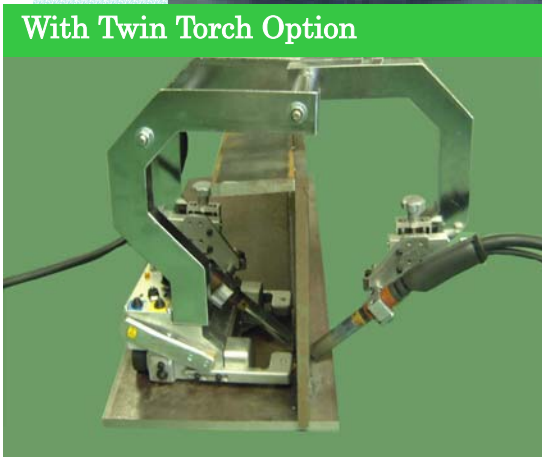
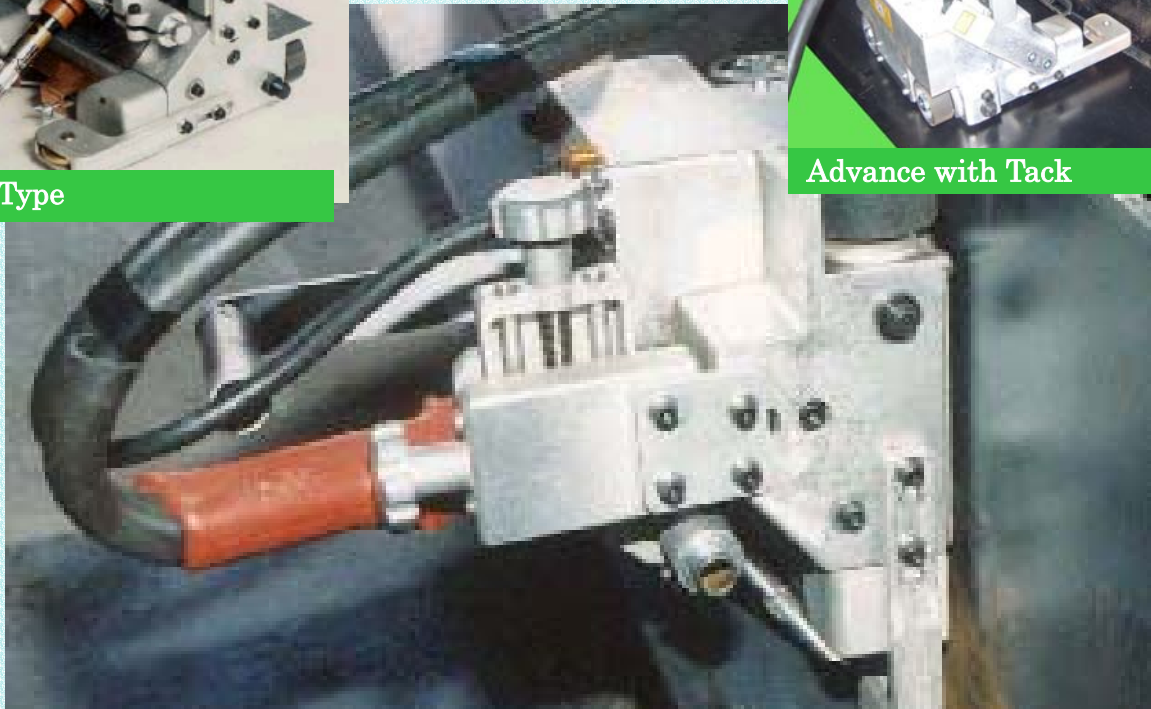
WEL-HANDY MULTI



Standard Type



Advance with Tack



With Twin Torch Option



With Weaving Option

Light, compact, 4WD, and magnetic force traction with low center of gravity achieves highest pulling power and stability in the market.

In addition, Vertical up position is possible.

Two basic types to chose from with multiple options to cover wide range of welding needs.

WEL-HANDY MULTI Standard

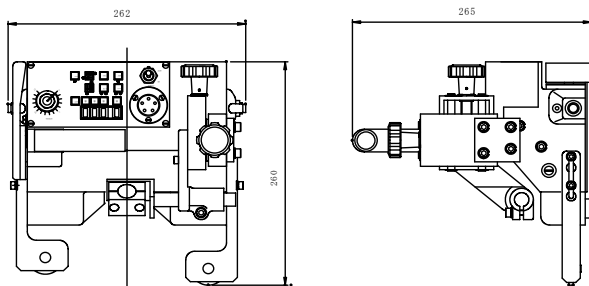
For flat and vertical fillet welding.
To improve welding quality

Wel-Handy Multi Standard

1. The 6.9 kg light weight gives better handling and set-up is easily done.
2. 30Kg magnetic force assures stable motions and it can even clime vertically.
3. Strong magnetic force can detach easily with lever.
4. Maintenance free Aluminum dycast body makes it liter and tough
5. Maximum speed of 1500mm/Min can achieve High-speed welding
6. Low center of gravity gives study motion
7. Clearance is highest in the market. It can run threw welding bead easily.



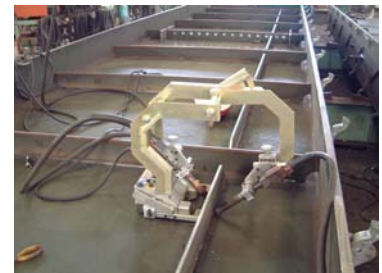
Machine Size



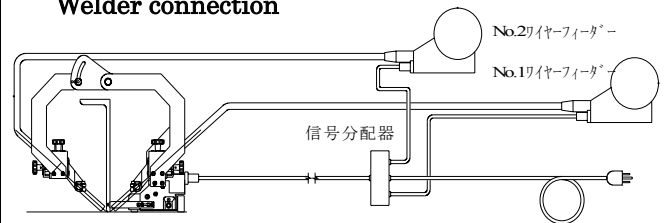
Increase your productivity while decreasing heat-affected defects.

Twin Torch Option

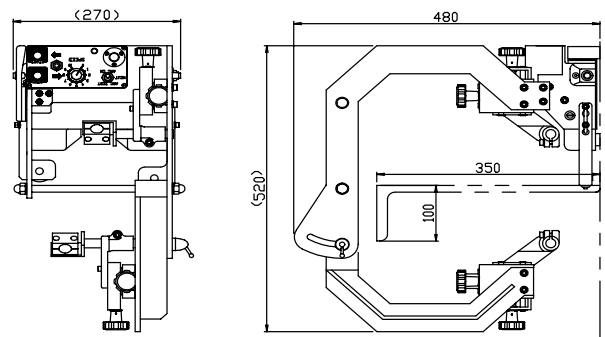
1. It is easy to set up with 2 torch
2. Torch can slide to get optimum torch position.
3. it can easily weld 350 x 100 stiffeners.
4. it is equipped with automatic start and stop of the weld to make automation and multiple use of the machine easier.



Welder connection



Machine Size



Controller

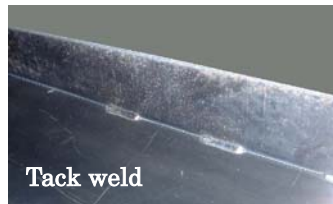
	STD	Twin Torch option
Switches (operation panel)	Start/Stop switch Direction switch. Speed control knob Arc test switch	Start/Stop switch Direction switch. Speed control knob Arc test switch
Torch distance		0-50mm

WEL-HANDY MULTI Advance

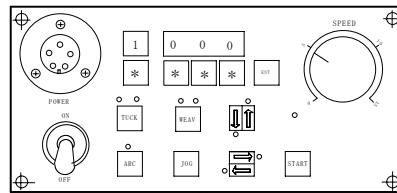
Equipped with true tack function for maximum productivity and welding quality

Wel-Handy multi Advance

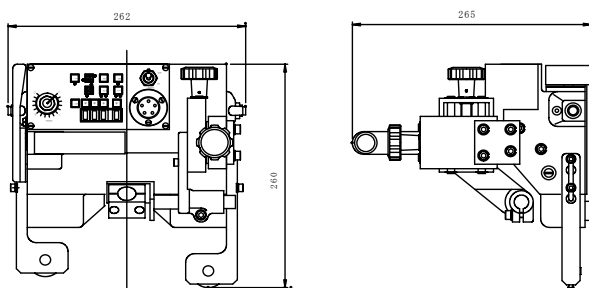
1. Set up and handling is easily done 6.8KG lightweight body.
2. Tack information is digitally inputted and stored to ensure repeatability.
3. Data is inputted by distance not time to ensure same outcome in different speed
4. It can set Arc stable timer, crater time and crater back distance in the parameter
5. Digital display shows Actual Operation or Welding speed.



Operation panel



Machine dimension

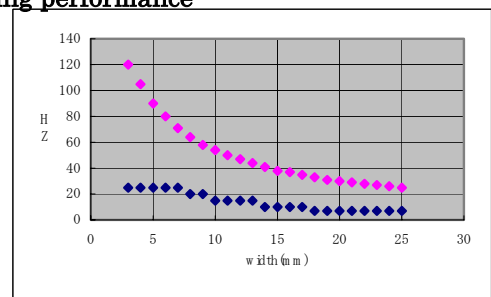


To increase weld ability and quality for the multiple pass welding

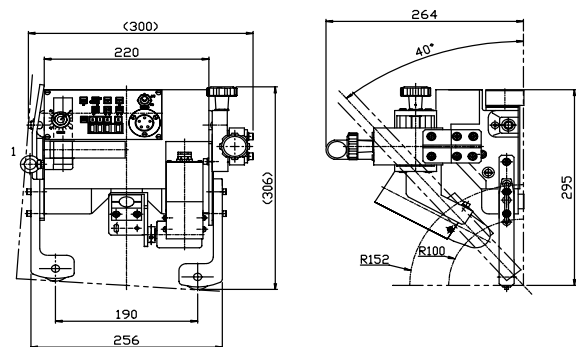
Weaving Option

1. 9.8Kg total weight makes easy to handle
2. weaving width can set up to 25mm
3. Plug on and easy set up on this option
4. Easily set welding width, frequency and dwell Time (L,C,R) with digital display.
5. Can adjust center dwell time placement anywhere With in the weave width.
6. easy to change weaving set up while welding.

Weaving performance



Machine dimension



Control Specification

	Advance(tack)	Weaving option
Switches (operation Panel)	Digital display, Speed knob Power switch, Tack selection switch Arc test switch, Dry run, direction Start/ Stop switch	Digital display, Speed knob Power switch, weave selection. home point Arc test switch, Dry run, direction Start/ Stop switch
Distance set Weave set	welding distance 1-999mm Dry run 1-999mm/min Crater back distance 0-9.	Weave 3-20times Frequency 2-120times/min Dwell time(L,C,R) 0-9.9 sec
Time set	Arc delay time 0.1-9.9 sec Crater time 0.1-9.9set	Arc delay time 0.1-9.9 sec Crater time 0.1-9.9set

■ Wel-Handy Multi series Specification

	STANDERD	w/ Twin torch Option	ADVANCE(Tack)	W/ Weaving Option
Weight (kg)	6.9 kg	16.0 kg	6.8 kg	9.8 kg
Size (L×W×H)	260×262×265	520×270×486	260×260×265	300×295×265
Puling power (Kg)	30 kg	30 kg	30 kg	30 kg
Drive	4WD Heat resistant rubber wheel, Permanent magnet traction			
speed mm/min)	150~1,500 mm/min			
Tracing method	By Guide roller			
Roller High	20 mm (adjustment possibility to 3 stages)			
Torch angle	40~55 degree			
Torch adjustment	Vertical 45 mm			
Torch adjustment	Horizontal 45 mm			
Torch	straight/carved torch (Not included)			
Torch holder	Adjustable straight/carved torch holder			
Weld remains (mm)	start 125/ end 140	total 267	start 125end 140	total t 315
Auto stop function	limit switch on both side with arc shut down			
Input power supply	42V 50~60 Hz			

